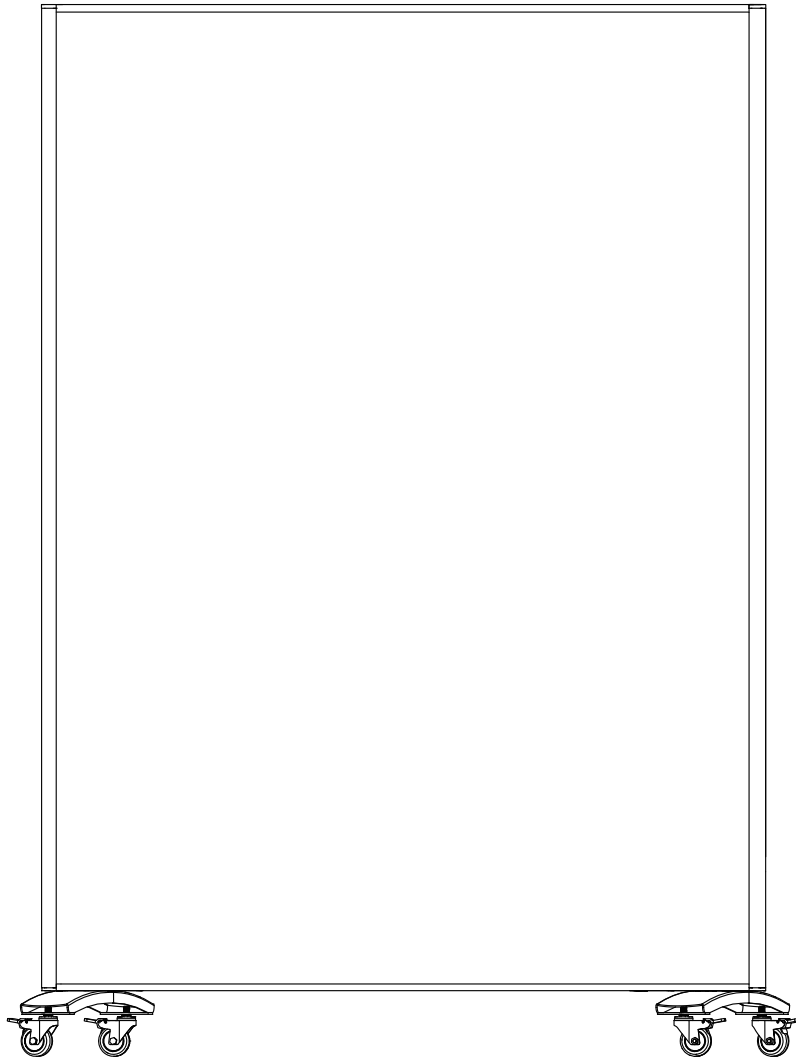


# ACOUSTIC PANEL & WHITEBOARD COMBINATION

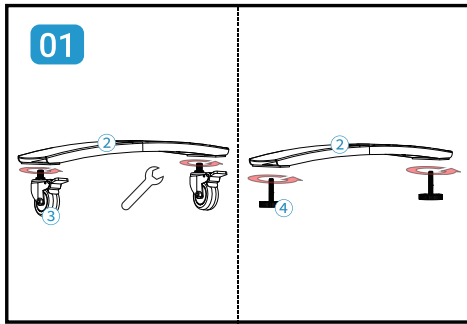
# INSTALLATION INSTRUCTIONS



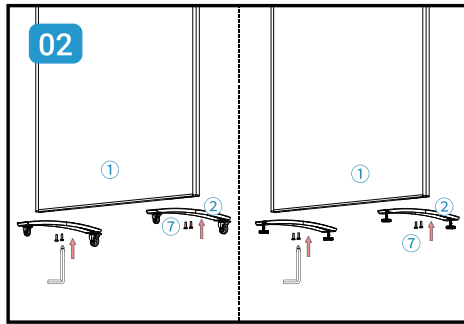
## PARTS LIST

PART NUMBER	IMAGE	PART NAME	AMOUNT	PART NUMBER	IMAGE	PART NAME	AMOUNT
①		ACOUSTIC PANEL & WHITEBOARD COMBINATION	1	⑥		Set screw M6x18mm	3
②		Foot cross-bar	2	⑦		Mounting bolt M8x20mm	4
③		Castor	4	⑧		Open spanner	1
④		Foot pad	4	⑨		Cross wrench	1
⑤		Jointing hook device	3				

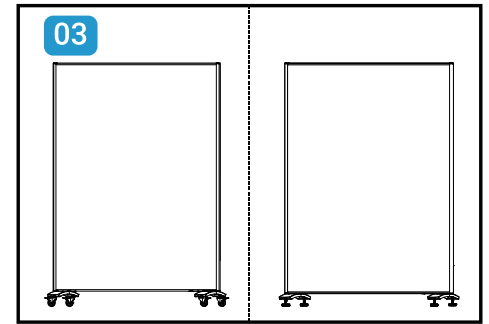
## Single board Installation steps



Install the castors (3) on the bottom of the foot cross-bar (2). Two way options: with castors (3), or with foot pad (4)

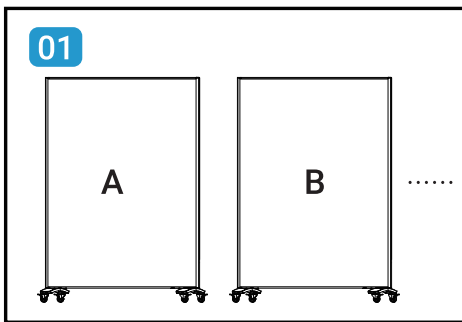


Connect the foot cross-bar (2) to the board by the mounting bolt M8x20mm (7)

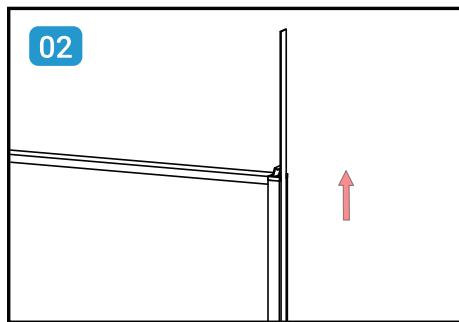


Installation finished

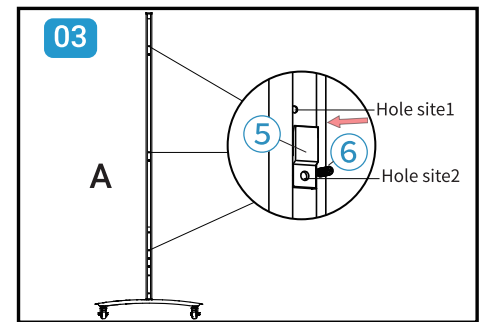
## Linear combination Installation steps



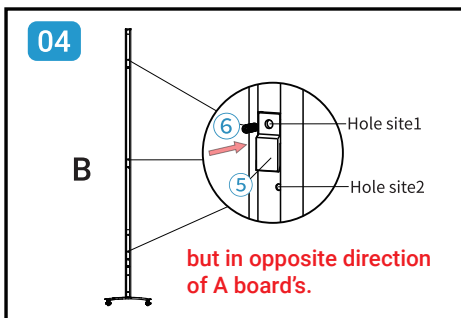
Install the single board first.



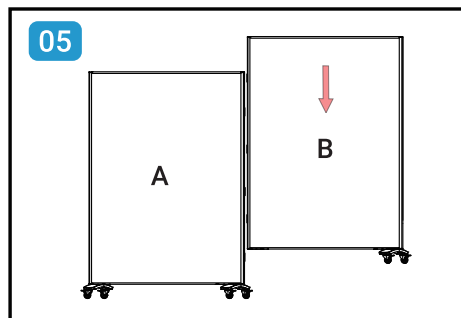
Open the corner cap, pull out the splicing edge sealing strip.



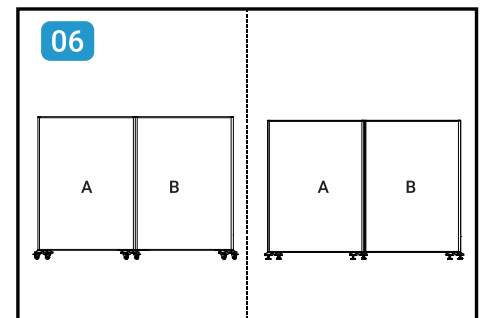
Fix the jointing hook device (5) on the side frame of A board by set screw M6x18mm (6). Total 3 pieces of jointing hook devices need to fix on.



Fix the jointing hook devices (5) on the side frame of B board, but in opposite direction of A board's.



Lock the jointing hook devices of B board downward to the hook devices of A board.



Installation finished

### Caution!

Do not allow children under three years old to contact with the small parts inside of the package, avoid swallowing; Avoid injury during installation;

**Keep the spare parts.**