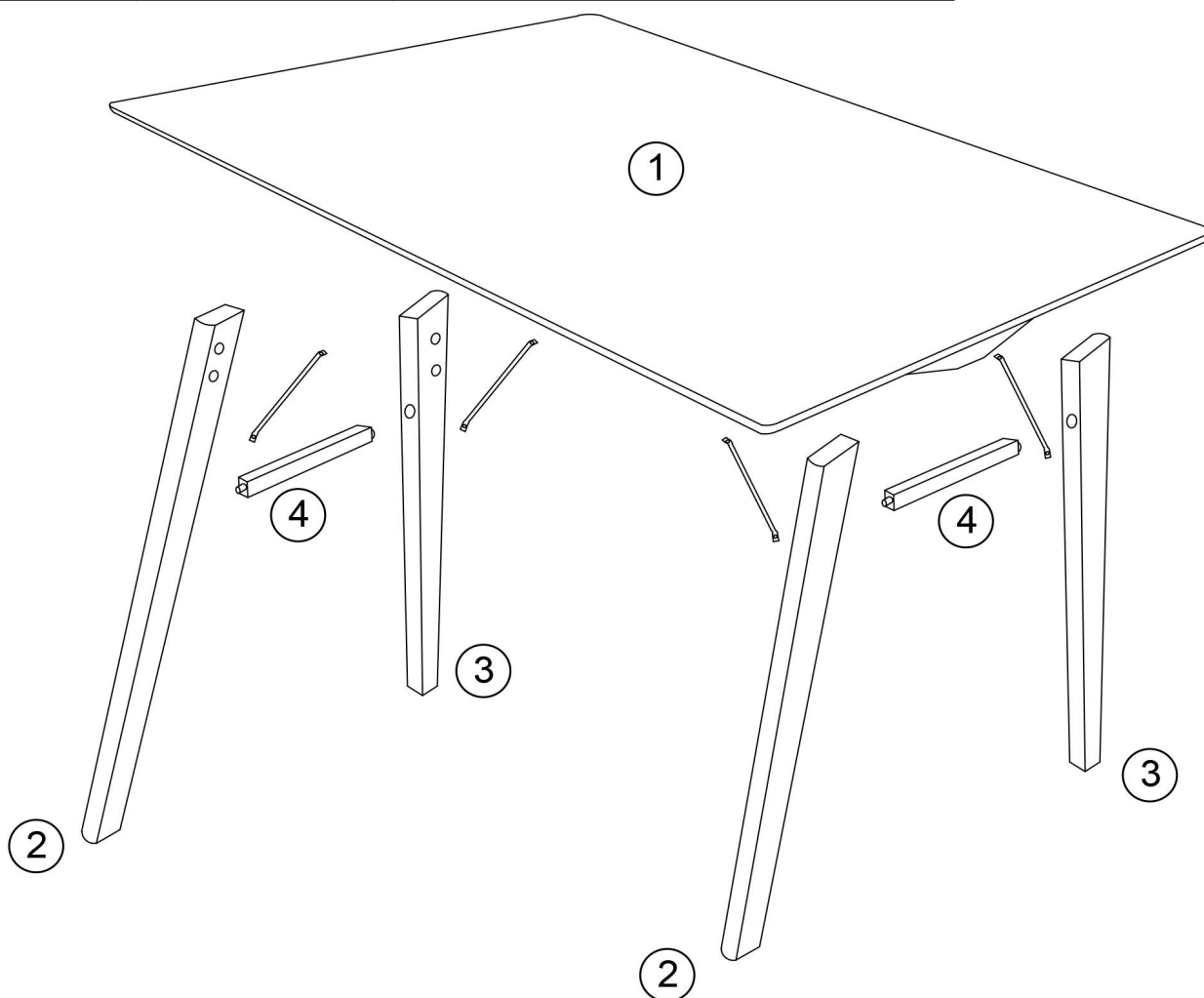


①	1	1200*600*83mm
②	2	760*55*25mm
③	2	730*55*25mm
④	2	200*35*20mm



Ax8



M8x50mm

Bx8



M9x14mm

Cx8



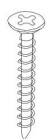
M9x22x2mm

Dx8



Ø3.5x16mm

Ex4



Ø4x38mm

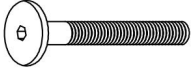



Fx4

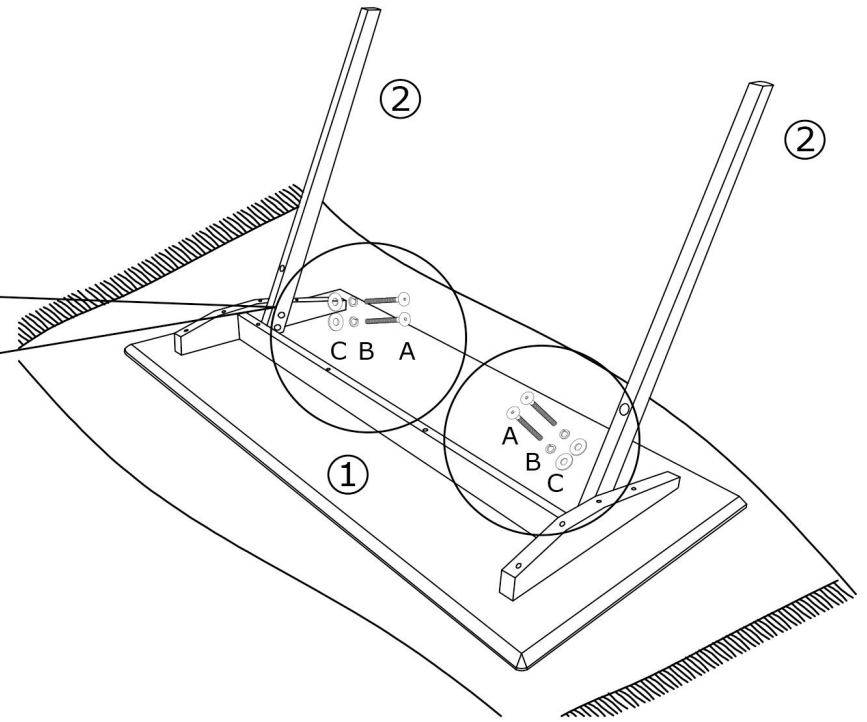
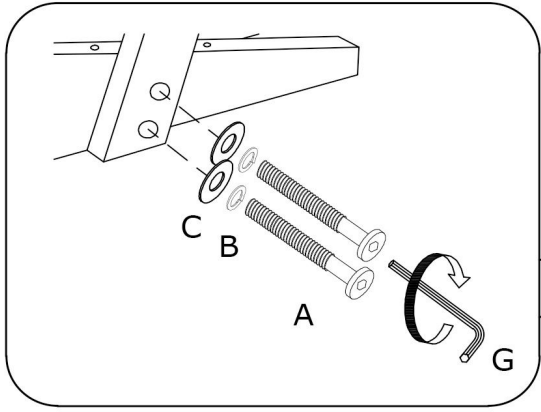


Ø8x240mm

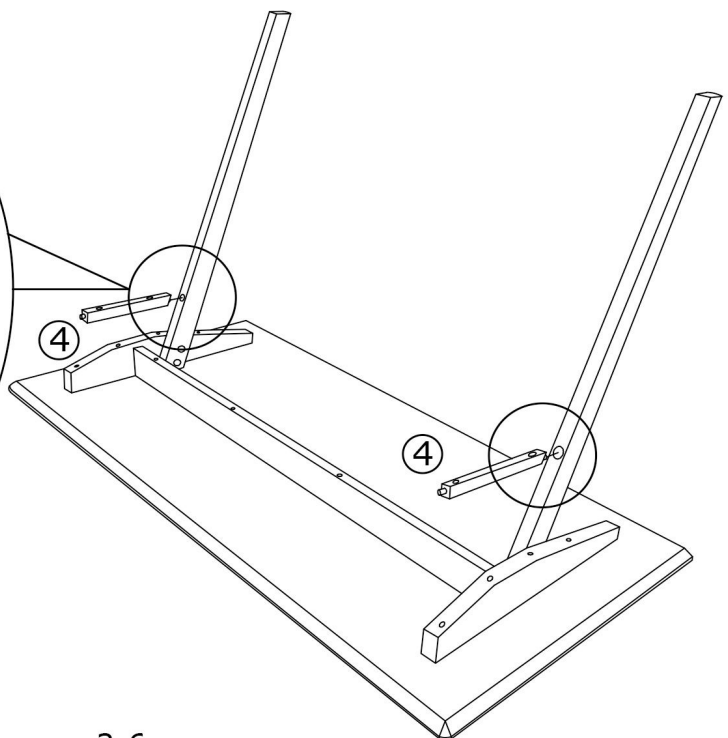
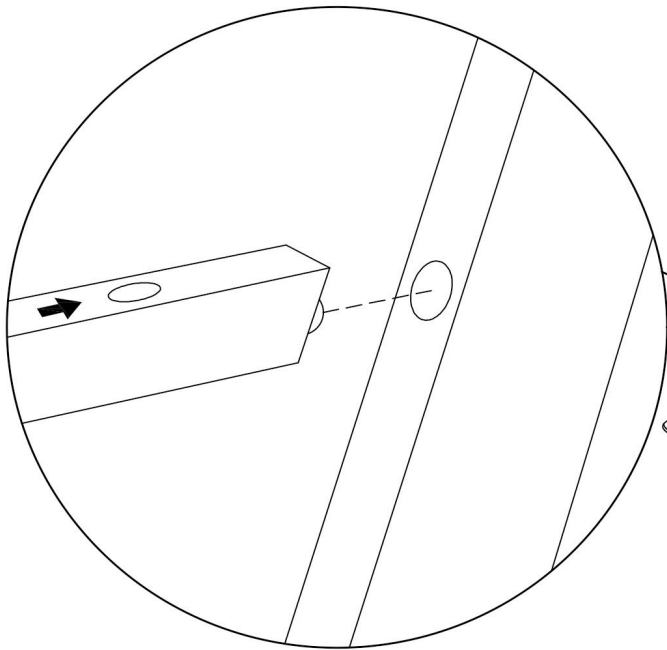
Gx1



<h1>1</h1>	<p>Ax4  M8x50mm</p>	<p>Bx4  M9x14mm</p>	<p>Cx4  M9x22x2mm</p>	<p>Gx1 </p>
------------	--	--	---	---

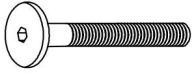


2



3

Ax4



M8x50mm

Bx4



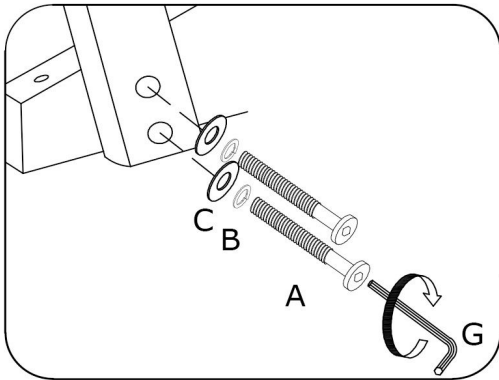
M9x14mm

Cx4

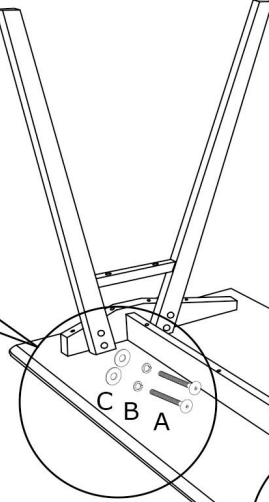


M9x22x2mm

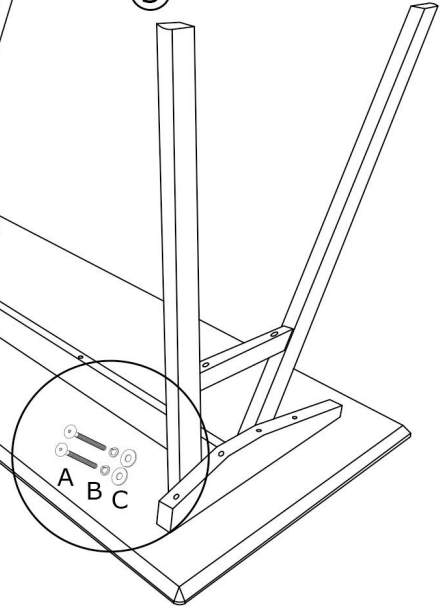
Gx1



③

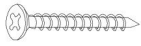


③

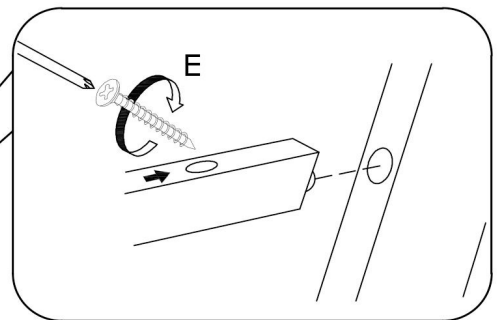
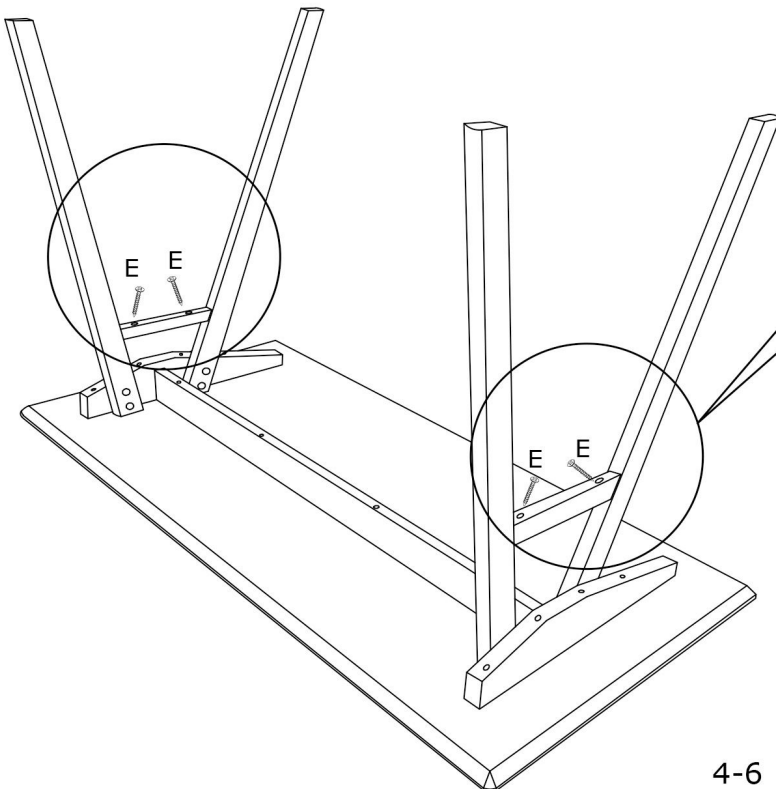





4

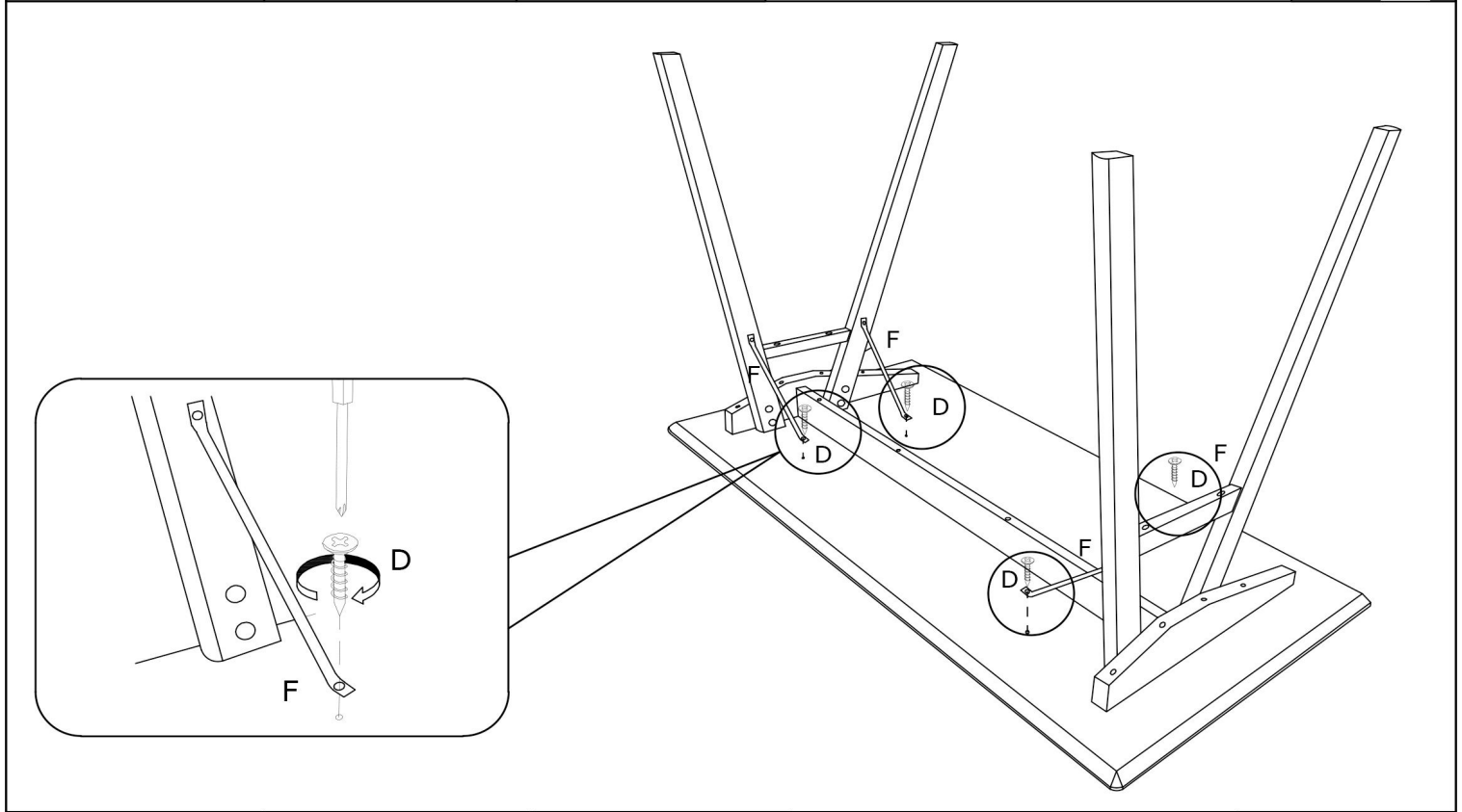
Ex4





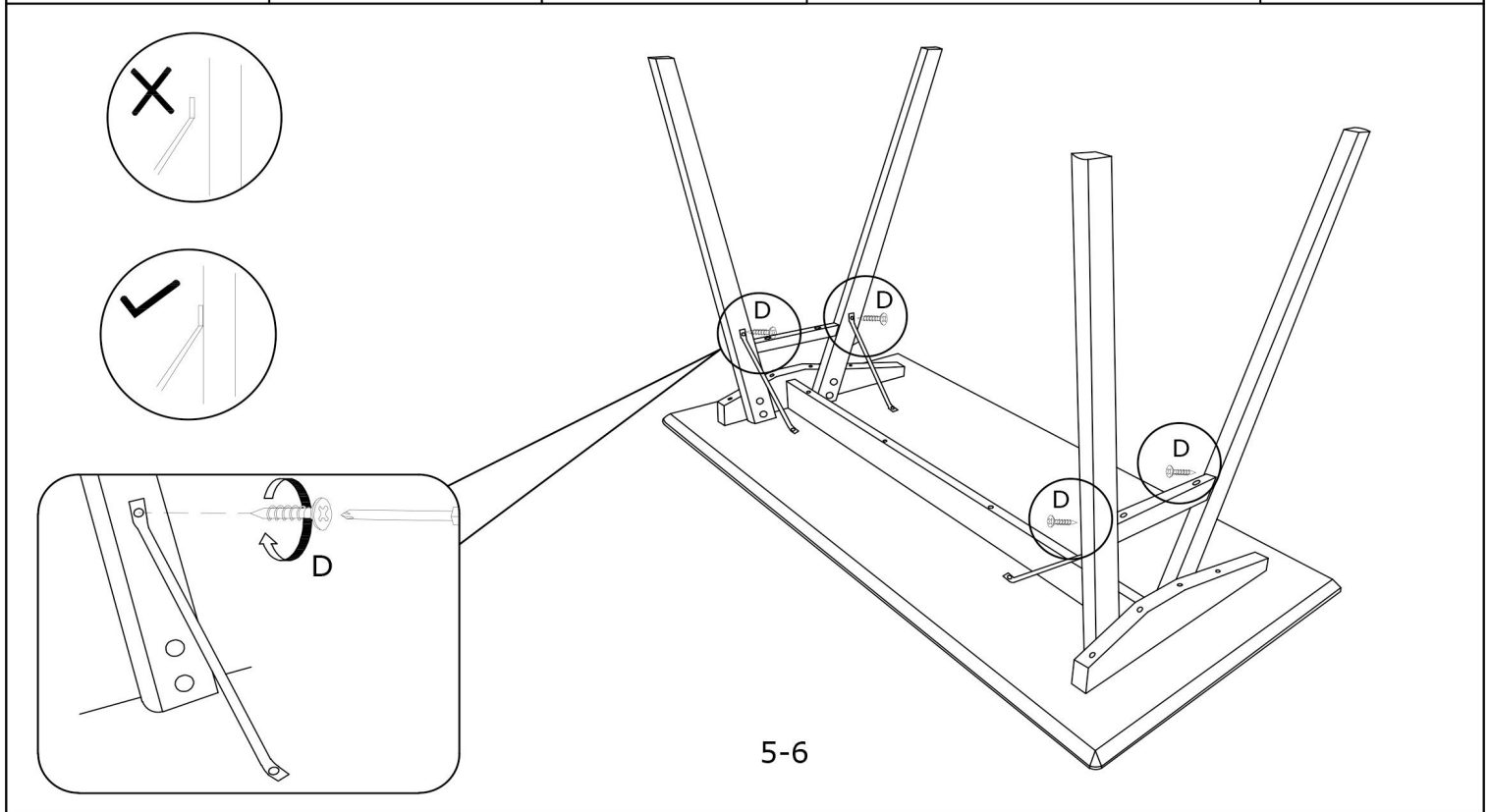
∅4x38mm



<h1>5</h1>	<p>Dx4</p>  <p>Ø3.5x16mm</p>	<p>Fx4</p>  <p>Ø8x240mm</p>	
------------	---	--	--



<h1>6</h1>	<p>Dx4</p>  <p>Ø3.5x16mm</p>		
------------	---	--	---



7

